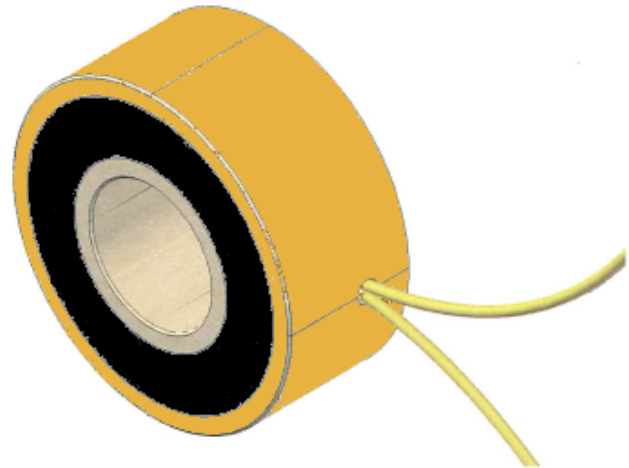
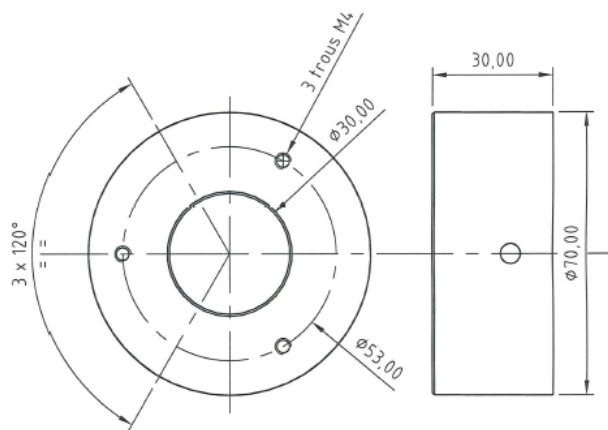


SAFETY BARRIER CLOSURE ELECTROMAGNET



Electromagnet used: **7977**

SIZE	POWER SUPPLY	Rated power at 20°	Holding strength (daN)
Ø70 x 30 mm	12 VDC	12 W	≥ 80

Principle:

Electromagnet used to close a safety barrier.

