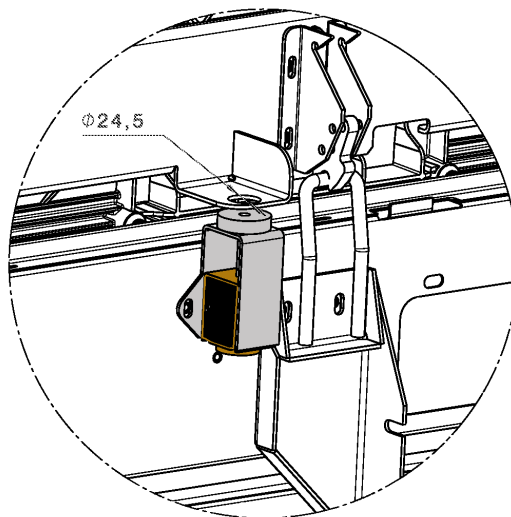
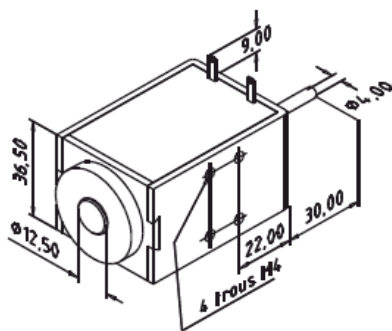
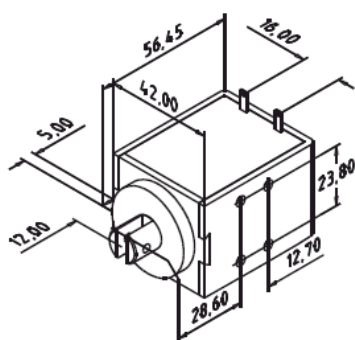


BUS PLATFORM LOCKING ELECTROMAGNET



3D schema of its installation:



Electromagnet used: **7165**

SIZE (mm)	POWER SUPPLY	WEIGHT (g.)	STROKE (mm)
42 x 56.45 x 36.5	6 to 220 VDC – 6 to 230 VAC	400	22

Principle:

Electromagnet fitted with a locking finger. This unit is an anti-tampering system for the bus engine cover.

