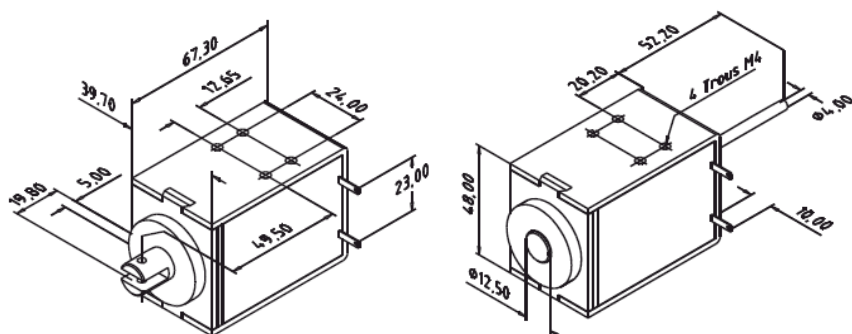


SOLENOID CONTROL ELECTROMAGNET FOR AGRICULTURAL SPRAYING



Electromagnet used: **7176**

SIZE (mm)	POWER SUPPLY	WEIGHT (g.)	STROKE (mm)	Max strength on call (kg)
67.3 x 52.2 x 48	12 VDC	600	40	4

Principle:

Electromagnet used to activate the movement of a blocking flap used to fill or empty a cavity.

