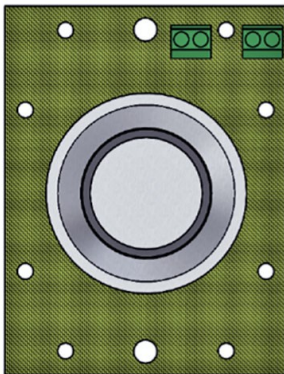
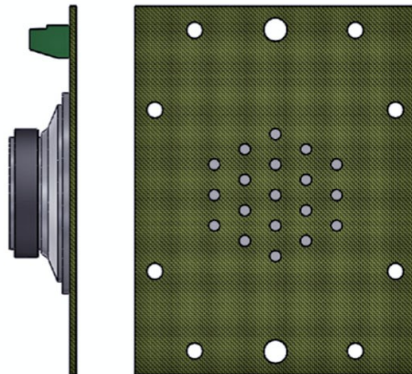


STAGE GONG 12/24 V - 3 TONES

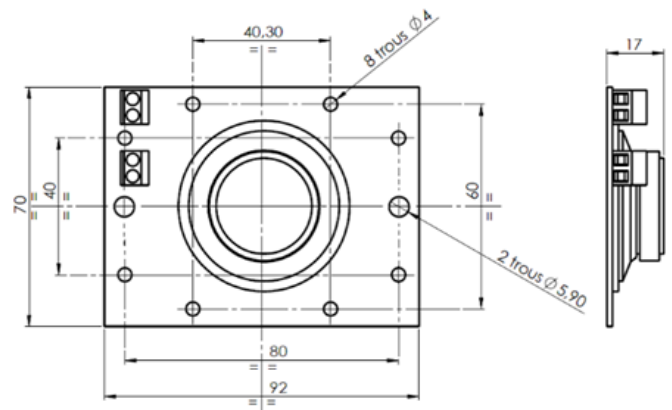
Rear view



front view



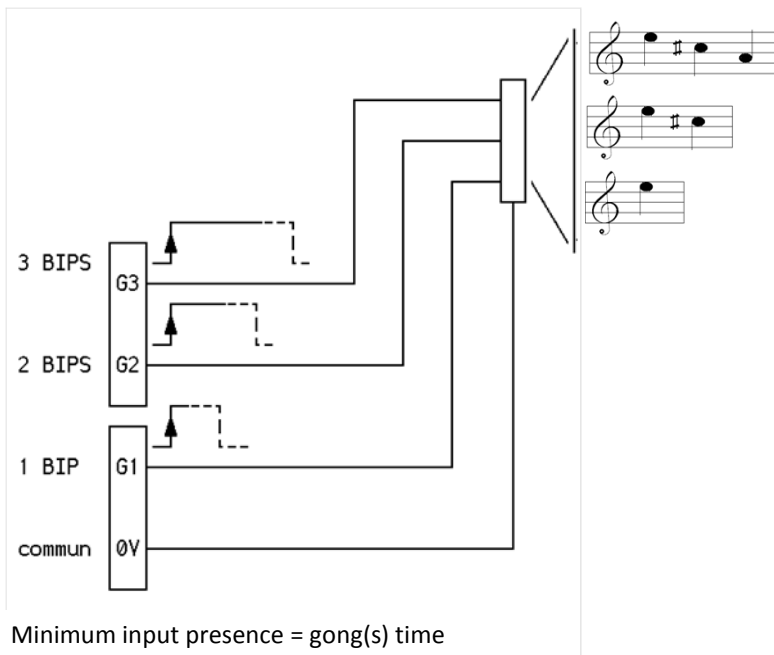
size



FUNCTIONS

Function : to emit one or more sounds (1 to 3) according to the appearance of an input.

Functional diagram



TECHNICAL DATA

Power supply	: 10 to 26 VDC
Output	: speaker
Standby current	: 0 mA (unexisting)
On operate current (max 7 sec.)	: \cong 170 mA
Present input current	: \cong 25 mA
3 tones melody	: 660—550—440 Hz
Sound level	: 70 dB
Max period	: 7 sec.
Operating temperature	: -10°C à +60°C
Homologation	: CE

OTHER INFORMATION

Connection by screw terminals

ORDER REFERENCE

57081005000