

RELAIS INSTANTANÉS ET DE FONCTION

2 contacts



TEC

X4001

► Description

X4001 interface module, 2 RT - 5 A
This interface module has a indicator led and a free wheeling diode to protect against reverse voltage.
X4001 module fixing is adapted for asymmetricals din rails.

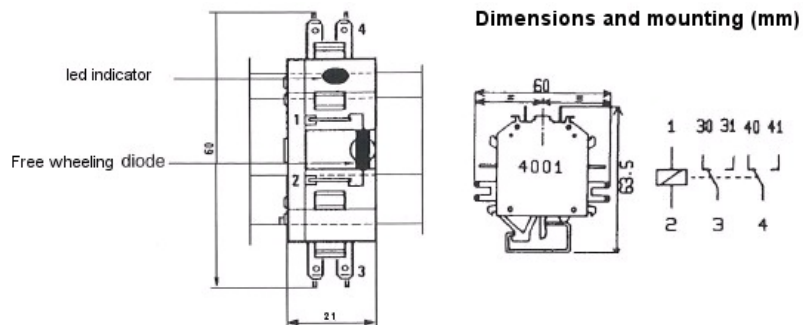
Others models

1902

CAQ

► X4001

► Dimensions



► Technical features

Function	Instantaneous
Presentation	Under case
Connection	On double flap for clips 2,8 mm
Number of mechanical operations	See contacts rating
Operating temperature	-25°C to +50°C
Storage temperature	-40°C to +80°C
Climatic protection	Reinforced climatic protection
Dielectric strength	Between coil and contacts - 2 500 V eff

► Coil data

	Direct current	Alternative current
Min. nominal voltage DC	6 - 12 -24 - 48 - 110 - 130 - 220 V	
Operating range	-20% +10% of nominal voltage	
Power requirement	1W	

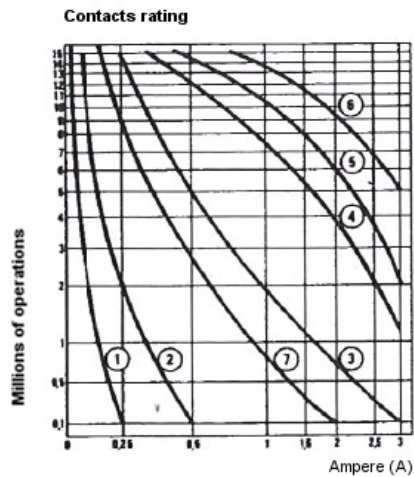
► Contacts

Number of contacts	2 RT
Max. load current	5A

► Contacts rating

DIRECT CURRENT

Contacts rating according to the differentes voltages



Cutoff cadence : 120 per hour
Duty cycle : 50%
Resistive circuit L/R = 0 Cos 1
1- Cutoff under 220VDC
2- Cutoff under 120VDC
3- Cutoff under 48VDC
4- Cutoff under 24VDC
5- Cutoff under 12VDC
6- Cutoff under 6VDC
7- Cutoff under 48VDC ou L/R=10 ms

▸ Versions

- EDF spécifique version

Non-contractual document - characteristics to be confirmed before order
TEC AUTOMATISMES reserves the right to modify description and specifications without notice