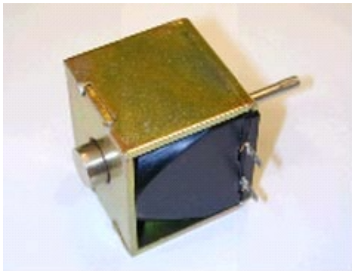


# ELECTRO-AIMANTS ET VENTOUSES

Linear solenoids "D" form for current applications



TEC

7173

Weight : 350 g.

Power supply : 6 to 220 VDC - 6 to 230 VAC

## Others models

7110  
7122  
7130  
7134  
7142  
7145  
7153  
7165  
▶ 7173  
7174  
7176

## ► Description

LINEAR SOLENOID "D" FORM FOR CURRENT APPLICATIONS

### TYPES :

- . Pull type
- . Push type
- . Through type

## ► Power requirements

### • DIRECT CURRENT

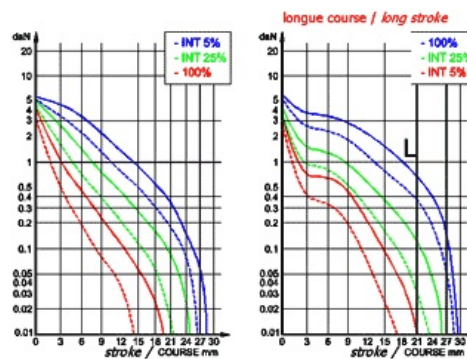
Duty cycle	100 %	25 %	5 %
Nominal power	7,2 W	22 W	105 W

### • ALTERNATIVE CURRENT

Duty cycle	100 %	25 %	5 %
Nominal power	12,6 VA	45 VA	210 VA

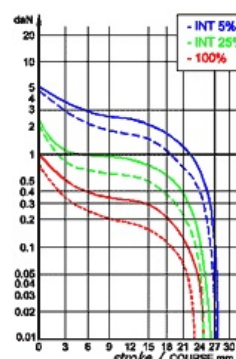
## ► Performances

### • DIRECT CURRENT



— nominal voltage cold coil / - - - min. voltage hot coil

### • ALTERNATIVE CURRENT

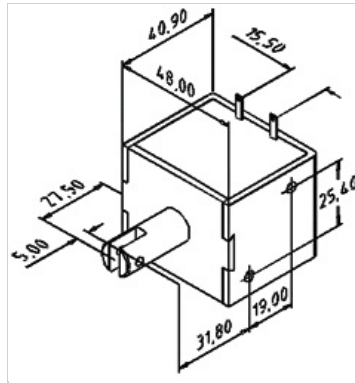


— nominal voltage cold coil / - - - min. voltage hot coil

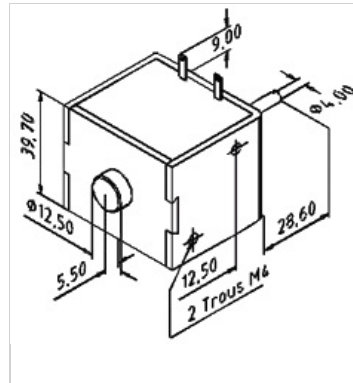
## ► Dimensions

### • DIRECT CURRENT

7173.00 - pull type

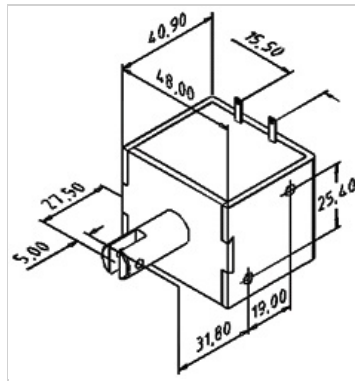


7173.10 - push type

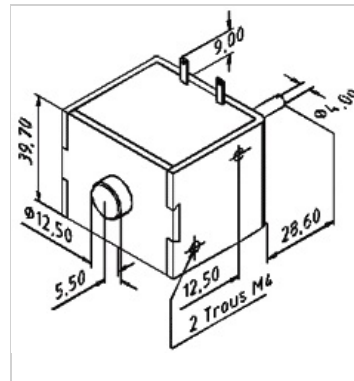


### • ALTERNATIVE CURRENT

7173.50 - pull type



7173.60 - push type



## ► Technical features

### HomeConnection

Snap for clips (4,75x0,5 or 2,8x0,5) - On wires length 110 mm - Solder terminals

**Non-contractual document** - characteristics to be confirmed before order  
TEC AUTOMATISMES reserves the right to modify description and specifications without notice