

ELECTRO-AIMANTS ET VENTOUSES

Linear solenoids "U" form for basic applications



TEC

7347

Weight : 150 g.

Power supply : 6 to 220 VDC

Others models

7315

7323

7325

7336

▶ 7347

▶ Description

LINEAR SOLENOID "U" FORM FOR BASIC APPLICATIONS

TYPES :

- . Pull type
- . Push type
- . Through type

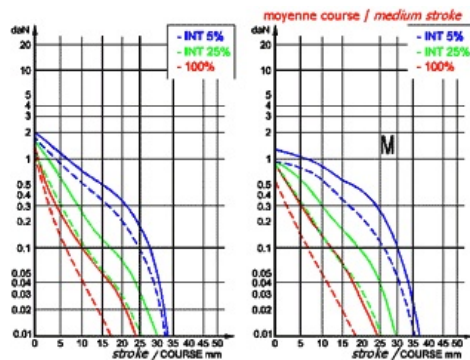
▶ Power requirements

- DIRECT CURRENT

Duty cycle	100 %	25 %	5 %
Nominal power	5,8 W	15 W	67 W

▶ Performances

- DIRECT CURRENT



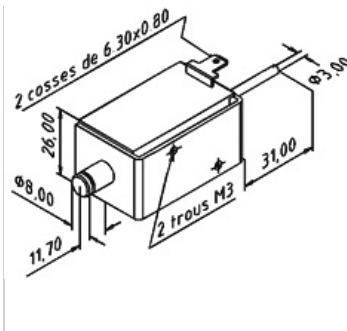
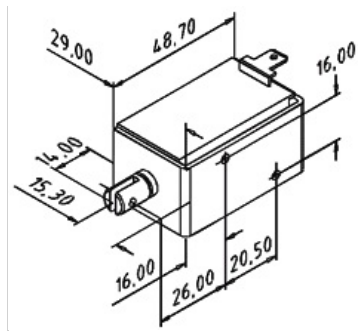
— nominal voltage cold coil / - - - min. voltage hot coil

▶ Dimensions

- DIRECT CURRENT

7347 - pull type

7347 - push type



► Technical features

HomeConnection	Snap for clips (6,35x0,8)
-----------------------	---------------------------

Non-contractual document - characteristics to be confirmed before order
TEC AUTOMatismes reserves the right to modify description and specifications without notice