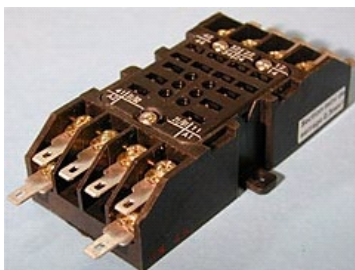


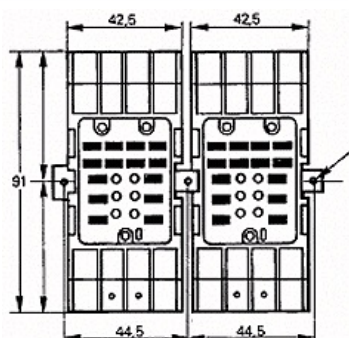
EMBASES POUR RELAIS

Front wiring socket with clips for 1200 and 2000 series

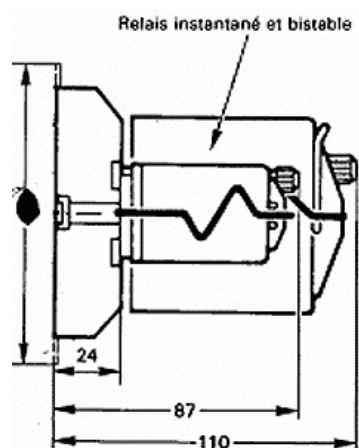


front wiring socket with clips 9946-20

► Dimensions



► Connection



► Technical features

- * TEC or CENELEC numbering
- * Mounting on symmetrical or dissymmetrical DIN track
- * Connection : single tabl terminal for 4,8 x 0,8 mm clips
- * Moulding material : polyamide

► Versions

9946.20 socket is a front wiring socket with clips for relay 1246 and relays of 2000 series.

► Options

See detailed indications regarding mounting and withdrawal in the technical support pages of this site.

▶ Accessories

- * Hold down springs ref. 6888ET1240 for relay 1246
- * Hold down springs ref. 9981 for relays 2246-2248
- * Hold down springs ref. 9982 for relays 23xx-2820
- * Symetrical DIN track adaptator ref. 9962.10
- * Dissymetrical DIN track adaptator ref. 9961.10
- * Complete coding accessory
- * Label-holder ref. 9963

Non-contractual document - characteristics to be confirmed before order
TEC AUTOMATISMES reserves the right to modify description and specifications without notice