

# RELAIS INSTANTANÉS ET DE FONCTION

Timer module



## Others models

1831-1832

▶ GRR



GRR

- rear wiring socket with clips ER/GE 2.8
- rear wiring socket / PCB mounting ER/GE
- front wiring socket with clips EVC/GE
- front wiring socket with clips 9876
- front wiring socket / screw terminals EVB/GE
- front wiring socket / screw terminals 9877

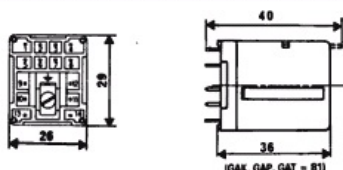
## ▶ Description

**Timer relay adjustable from 0.2 to 150 s in 4 ranges - all static- static output 0,3 A I max - 5 mA I min.**

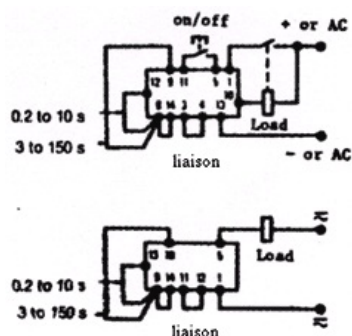
Pluggable on socket. Pins at the standard pitch of 2.54 mm.

GAT relay is pluggable on the following sockets : EVB/GE, 9877, EVC/GE, 9876, ER/GE 2.8, or ER/GE.

## ▶ Dimensions



## ▶ Connection



## ▶ Operation principle

**Functions :**

- \* ET : timed on voltage application
- \* MT : timed on voltage lack

**Timing ranges adjustable by potentiometer on front face :**

- \* 0.2 to 5 s & 5 to 10 s
- \* 3 to 75 s & 75 to 150 s

- operation accuracy : + or - 20%
- Fidelity : 10%
- Recycling time : 50 ms

- Min power supply duration in MT : 50 ms

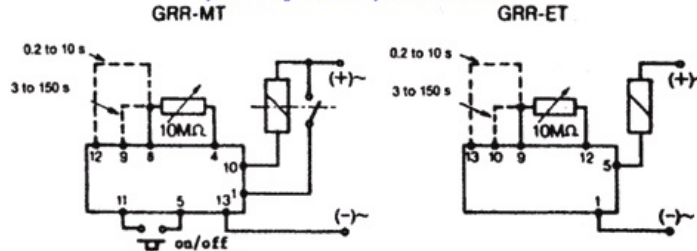
**Voltage ranges :**

- \* GRR-ET : 19 to 53 - 45 to 138 - 90 to 250 V AC/DC
- \* GRR-MT : 19 to 53 - 45 to 18 VDC & 19 to 53 - 90 to 240 VAC

► **Plan**

Il est possible d'utiliser le GRR avec potentiomètre extérieur. Le choix de la temporisation s'opère par câblage sur l'embase. Par exemple avec un potentiomètre de 10 MΩ on obtient une temporisation de 150 s max.

*It is possible to use the GRR with an external potentiometer. Subranges are chosen by wiring on the bases. For instance, with a potentiometer of 10 MΩ you can get a delay of 150 s max.*



► **Technical features**

<b>Function</b>	timer (ET-MT)
<b>Presentation</b>	under cover
<b>Connection</b>	on front or rear wiring socket
<b>Operating temperature</b>	- 5°C to + 40°C
<b>Storage temperature</b>	- 40°C to + 70°C
<b>Climatic protection</b>	reinforced climatic protection
<b>Dielectric strength</b>	2000 V eff-50 Hz
<b>Insulation resistance</b>	> 200.000 MOhms
<b>Weight</b>	25 g.
<b>Protection level</b>	IP40 (according to NFC 20-010)
<b>Resistance to mechanical shocks</b>	severity 50 A (NFC 20-608)
<b>Resistance to vibrations</b>	frequency range : 10-55 Hz (NFC20-616)

► **Coil data**

	<b>Direct current</b>	<b>Alternative current</b>

<b>Min. nominal voltage DC</b>	19 V	19 V
<b>Min. nominal voltage AC</b>	250 V	250 V
<b>Operating range</b>	-20/+10% of nominal voltage	

## ► Versions

. GRR relay with specific timing

Homologations & conformities :

- \* NFC 45-250
- \* CEI 255.1.00

**Non-contractual document** - characteristics to be confirmed before order  
**TEC AUTOMATISMES reserves the right to modify description and specifications without notice**